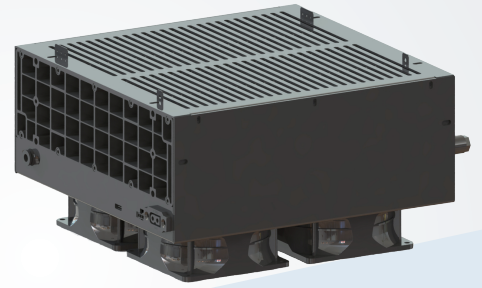




# Hydrogen Fuel Cell System

## Hercules ACFC



The Stack has been certified by Shanghai Testing Center.

- Start-up speed 1.8S
- Single Stack 100W-3000W, arrays up to 40kW
- Design life 2000h
- Bare Stack power density 1100W/kg

### Specification

Hydrogen purity:  $\geq 99.99\%$  (CO<1PPM)

Hydrogen pressure: 0.07MPa±0.02

Operating ambient temperature: -5°C~42°C

Working environment humidity: 10%~95%

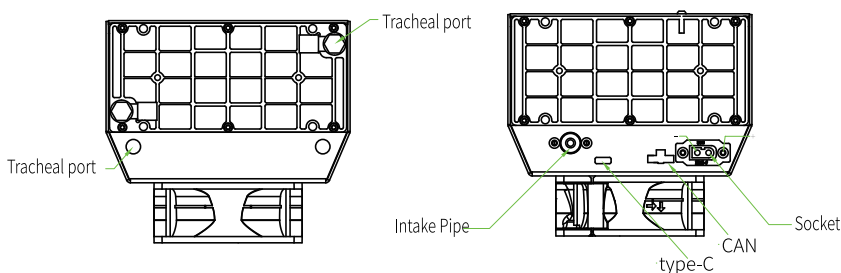
Noise:  $\leq 50\text{dB}@3\text{m}$

External voltage: Type C 5V or CAN 12V (for startup only)

Power to weight ratio: **>700 W/kg**

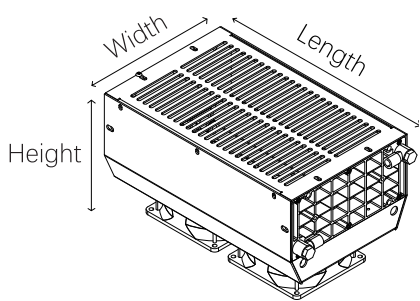
Volume power density: **500 W/L**

### Interface and Connectors

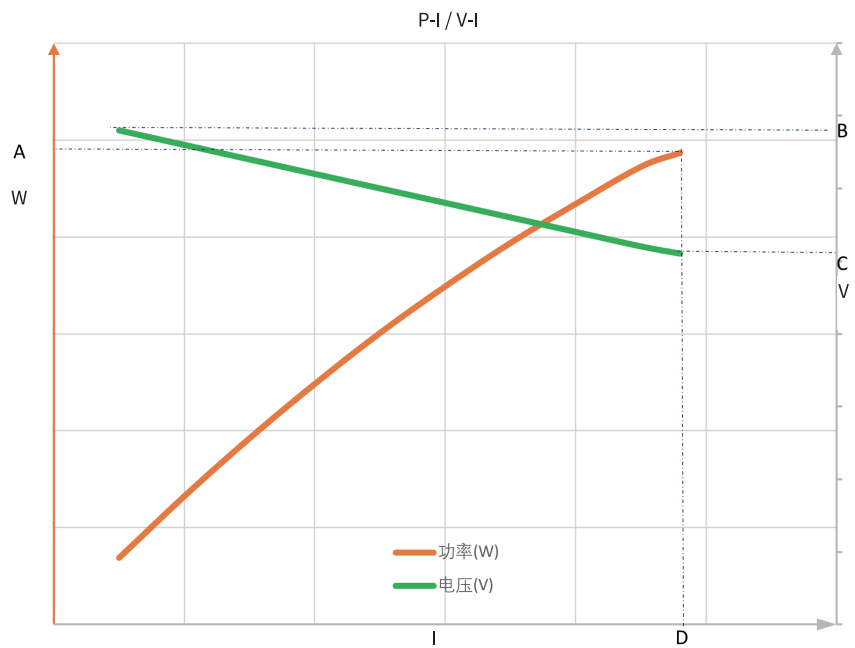


H <sub>2</sub> Tube	PU6
Communication	USB-C
CAN	X3025WRS-04D-LPSW
Power Output	Amass XT6E-F

Model No.	Description	Rated power.A	Open Circuit	Minimum Voltage.C	Rated Current.D	Rated Voltage.V	H <sub>2</sub> Consumption Rate	L*W*H in mm	Weight
		(W)	(V)	(V)	(A)	(V)	(L/min)	(Mm±1mm)	(kg)
FC-014-150-C-B000	150W System powered by FC-014-168	150W	24	13	10.7	14	2.1	176*72*143	0.87
FC-014-168	168W Full Cell Stack	168W	24	13		14	2.1	89*70*70	0.55
FC-027-250-C-B000	250W System powered by FC-027-315	250W	45	25	9.25	27	3.92	152*72*143	1.24
FC-027-315	315W Full Cell Stack	315W	45	25		27	3.92	139*70*70	0.75
FC-048-450-C-B000	450W System powered by FC-048-500	450W	44	80	9.3	48	7	176*72*143	1.73
FC-048-500	500W Full Cell Stack	500W	44	80		48	7	225*68*69	1.11
FC-027-750-C-B000	750W System powered by FC-027-900	750W	25	45	27.8	27	11.25	165*152*14	2
FC-027-900	900W Full Cell Stack	900W	25	45		27	11.2	145*148*68	1.3
FC-027-1200-C-B000	1200W System powered by FC-027-1500	1200W	25	45	44.5	27	18.7	238*165*136	3
FC-027-1500	1500W Full Cell Stack	1500W	25	45		27	18.7	238*145*100	2
FC-051-1600-C-B000	1600W System powered by FC-051-1750 (metal shell)	1600W	46	85	31.3	51	21.8	263*152*140	3.02
FC-051-1600-C-B000	1600W System powered by FC-051-1750 (composite shell)	1600W	46	85	31.3	51	21.8	263*152*140	2.93
FC-051-1750	1750W Full Cell Stack	1750W	46	85		51	21.8	242*148*68	2.13
FC-051-1700-C-B000	1700W System powered by FC-051-1850 (metal shell)	1700W	46	85	33.3	51	23.1	26.3*15.2*14	3.02
FC-051-1700-C-B000	1700W System powered by FC-051-1850 (composite shell)	1700W	46	85	33.3	51	23.1	26.3*15.2*14	2.93
FC-051-1850	1850W Full Cell Stack	1850W	46	85		51	23.1	24.2*14.8*6.8	2.13
FC-054-1800-C-B000	1800W System powered by FC-054-1950	1800W	49	50	33.3	54	24.4	271*152*140	3.15
FC-054-1950	1950W Full Cell Stack	1950W	49	50		54	24.4	255*148*68	2.23
FC-051-2500-C-B000	2500W System powered by FC-051-2800	2500W	46	85	49	51	34.84	263*240*136	4.69
FC-051-2800	2800W Full Cell Stack	2800W	46	85		51	34.84	243*238*68	3.19
FC93-033-300-C-C000	Bicycle customized full cell system 200W stack only 300W	200W	30	55	6.06	33	3.73	375*72*80	1.8
FC93-033-300	Bicycle customized stack only 300W	300W	30	55		33	3.73	165*72*60	0.8
FC30-030-500	Electric vehicle stack only 500W	500W	27	50	8.33	48	6.22	147.5*51.6*162.5	1.089



External dimensions of the Stack System for reference



Building 12, No. 11, Keyuan Road, Wuyang Street, Deqing County, Huzhou City, Zhejiang, China (Hydrogen Craft Corporation)

+86-571-88562939 / +86-191 0678 6231

inquiry@qinghangfc.com

www.hydrogencraft.com